



Model CBP-TGP1 Tailgate Post shown with CBP-135 Backyard Charcoal Grill (sold separately).



Model CBP-TGP1

SPECIFICATIONS:

- The **CBP-TGP1 Tailgate Post** for charcoal grills is designed to conveniently slide into your 2 in. receiver hitch to make tailgating easy.
- Allows you to use your regular or heavy-duty Park-Style Backyard Charcoal Grill (Model CBP-135 or Model CBP-247, both sold separately) at a comfortable height, right on the back end of your vehicle.
- Grill on Tailgate Post will rotate 360 degrees so you can grill from any angle.
- Designed to fit into standard 2-1/2" square truck hitch receivers (2" ID). A 21/32" dia. hole is provided for the hitch pin. Hitch pin not included.
- Rises 20-3/4" from hitch to grill mount to keep cooking surface at a comfortable height. (Measure the height of your hitch. Some high profile and 4x4 vehicles have hitch points higher than other vehicles.)
- Constructed of rugged 2-3/8" OD round steel pipe with die-formed square end for receiver.
- Black powder coat finish.
- **Ships in one box.**
Weight: 12 lbs.
Dimensions: 20"W x 30"L x 3"H.



Content of the box

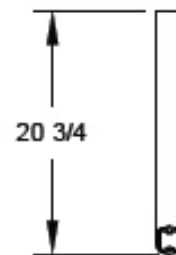
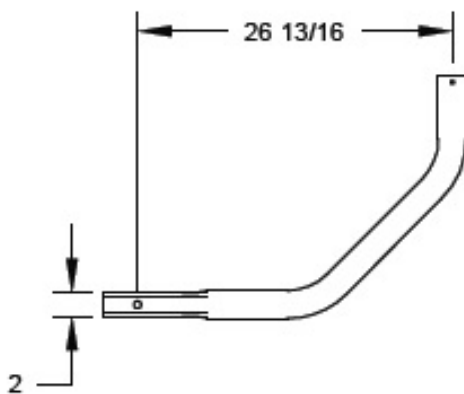
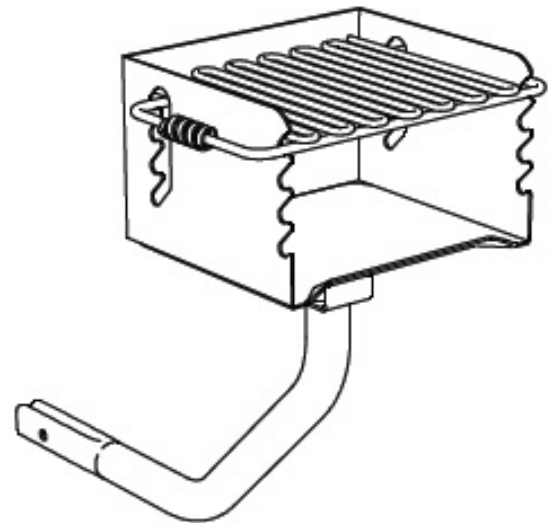
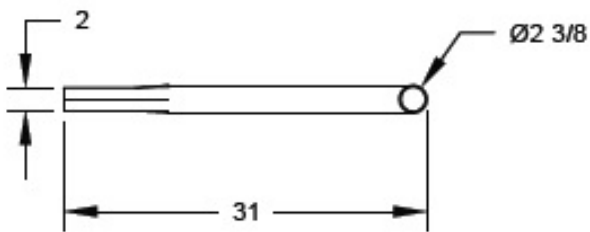
RJ Thomas Mfg. Co., Inc.

PO Box 946 · Cherokee, IA 51012-0946 · PH: 712-225-5115 · 800-762-5002 · FAX: 712-225-5796

E-mail: customerservice@rjthomas.com

© 2014 RJ Thomas Mfg. Co., Inc.

MODEL CBP-TGP1 TAILGATE POST
 (SHOWN WITH CBP-135 BACKYARD
 CHARCOAL GRILL, NOT INCLUDED)



ALL DIMENSIONS IN INCHES

RJThomas
 Mfg. Co., Inc.
 P.O. Box 946
 Cherokee, IA 51012

TITLE MODEL CBP-TGP1 TAILGATE POST FOR BACKYARD
 PARK-STYLE CHARCOAL GRILLS

| | |
|----------|---------|
| DRAWN BY | WWM |
| DATE | 7-08-14 |
| DWG. NO. | AI-2057 |